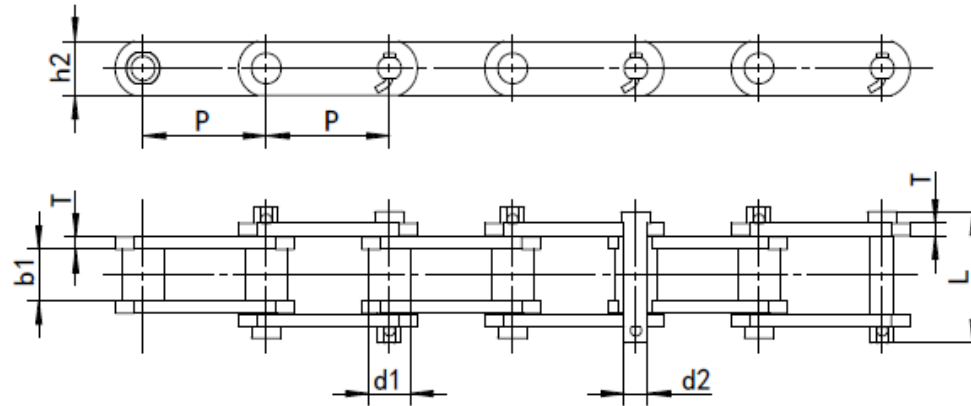
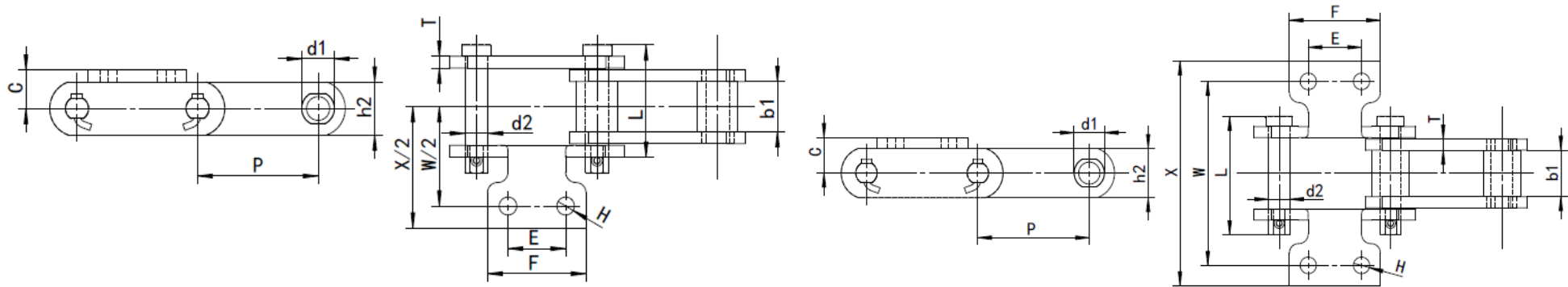


Engineering steel bush chain



ZMIE Chain No.	Pitch	Bush diameter	Width between inner plates	Pin diameter	Pin length	Plate depth	Plate thickness	Ultimate tensile strength	
	P	d1 max	b1 min	d2 max	L max	h2 max	T max	Q min	q
	mm	mm	mm	mm	mm	mm	mm	KN	kg/m
S188	66.3	22.4	26.9	12.7	68.60	28.4	6.4	102.00	5.60
S131	78.1	31.8	33.5	15.9	90.50	38.1	9.7	160.00	11.60
S102B	101.6	25.4	54.1	15.9	111.30	38.1	9.7	160.00	10.40
S111	120.9	36.6	66.8	19.1	131.20	50.8	9.7	214.00	15.90
S110	152.4	32.0	54.1	15.9	111.30	38.1	9.7	160.00	9.80
S150	153.7	44.7	84.3	25.4	164.60	63.5	12.7	378.00	25.70

Engineering steel bush chain



ZMIE Chain No.	Pitch	Bush diameter	Width between inner plates	Pin diameter	Pin length	Plate depth	Plate thickness	Dimensions						Ultimate tensile strength
	P	d1 max	b1 min	d2 max	L max	h2 max	T max	C	E	F	W	X	H	Q
	mm	mm	mm	mm	mm	mm	mm	mm	mm	mm	mm	mm	mm	KN
S188	66.3	22.4	26.9	12.7	68.60	28.4	6.4	20.60	31.70	54.1	106.4	130.0	9.6	102.0
S131	78.1	31.8	33.5	15.9	90.50	38.1	9.7	25.40	38.10	66.8	105.0	130.0	12.7	160.0
S102B	101.6	25.4	54.1	15.9	111.30	38.1	9.7	25.40	44.40	68.3	135.0	170.0	9.6	160.0
S110	152.4	32.0	54.1	15.9	111.30	38.1	9.7	25.40	44.40	73.1	135.0	170.0	9.6	160.0